

Luxury Straight Traditional Thermostatic Radiator Valve

Temperature Sensor

Do not cover & keep clean from dust

Technical Specifications

Maximum operating pressure 10 Bar

Maximum flow temperature 110C

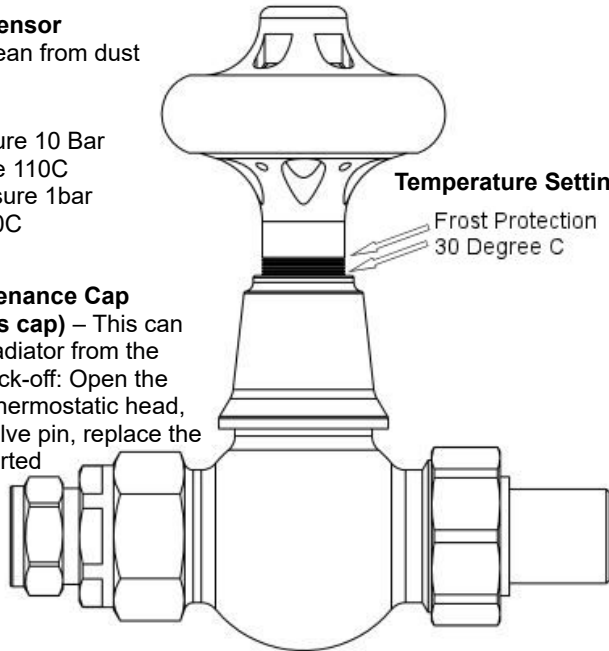
Maximum differential pressure 1bar

Temperature range 7C - 30C



Positive Lock-Off Maintenance Cap

(also known as a decorator's cap) – This can be used when removing the radiator from the system to ensure a positive lock-off: Open the valve fully, then unscrew the thermostatic head, place this cap on top of the valve pin, replace the thermostatic head.. Once inserted finger-tighten the head only. A 1/4 turn is usually sufficient, do not excessively tighten.



Temperature Settings Guide

Frost Protection
30 Degree C

Inlet Coupler

Standard - 15mm Compression

Optional - 22mm Compression

Standard - 3/4" BSP Female (internal thread)

Optional - 1/2" BSP Female (internal thread)

Male Radiator Coupler

Standard - 1/2" BSP

Optional - 3/4" BSP

Thermostatic Temperature Control

When the wheel head is wound clockwise to the closed position, the valve will still operate if the room temperature falls below 7 degrees C, providing frost protection.

When fully open, the thermostatic control operates to around 30 degrees C. The small grooves on the shaft can be used as a temperature guide. The more grooves showing, the higher the room temperature.

As with any valve, if fully opened (anti-clockwise) always turn the wheel head back one ¼ turn, to prevent sticking, as room & valve temperatures alter.

Note: Never over tighten in either direction.

Installation

Your radiator valves should only be installed by a competent and suitably qualified installer. Your warranty may be void if installation is not carried out by a suitably qualified heating engineer.

All plumbing joints should be sealed using appropriate tools, methods and materials. Never over tighten any joint or coupling.

Ensure care is taken to protect the decorative finish on the valves during installation. We would recommend applying protection (for example, at least two layers of paper between the faces of the nuts and any spanner) to ensure the surfaces are not marked.

We *recommend* all TRV's are installed on the flow, rather than the return pipework of a radiator. When used in conjunction with a system automatic bypass valve, this thermostatic valve can be installed on either the flow or return in any orientation. System automatic bypass valves are a specific building regulation requirement for all new installations and boiler upgrades. All bi-directional TRV's from any manufacturer require the bypass valve to function correctly and thus avoid radiator hammer.